

MS303-DSS



UPC Code : 078477374184

Country Of Origin : Mexico

RoHS Compliant : Yes

30 Amp, 600 Volt, Three-Pole, Three Phase AC Manual Motor Controller, Suitable as Motor Disconnect, Short Toggle, Industrial Grade, Non-Grounding, Back & Side Wiring, - Black

Powerswitch® Industrial Grade AC Manual Motor Controllers provide safe, reliable control of a variety of motor loads. Typical applications include manual ON/OFF switching control of conveyor systems, pumping machines, HVAC systems, air compressors and other heavy manufacturing equipment. These motor controllers are available for both single-phase and three-phase applications.

Technical Information

Electrical Specifications

Amperage : 30 A

Dielectric Voltage : Withstands 2200V for 1 min.

Endurance : 6,000 cycles inductive motor type load

Grounding : Non-Grounding

Pole : 3

Temperature Rise : 50°C Max at full rated current

Voltage : 600 VAC

Environmental Specifications

Flammability : Rated V-0 per UL 94

Operating Temperature : -40°C to 60°C

Material Specifications

Base Material : Thermoplastic Polyester

Color : Black

Contacts : Silver-Cadmium .031 Thick

Face Material : Thermoplastic Polyester

Strap Material : Nickel Plated Brass

Terminal Screws : Nickel-Plated Brass 10-32

Toggle : Thermoplastic Polyester

Yoke : Nickel-Plated Brass

Mechanical Specifications

Product ID : Ratings are permanently marked on device

Terminal Accom. : #10-#8 AWG

Terminal ID : T1, T2, T3, L1, L2 & L3 marked on back of device

Termination : Back & Side

Torque Range : 25 inch pounds maximum

Product Features

Color : Black

Device Type : Toggle Switch

Standards and Certifications

ANSI : C-73

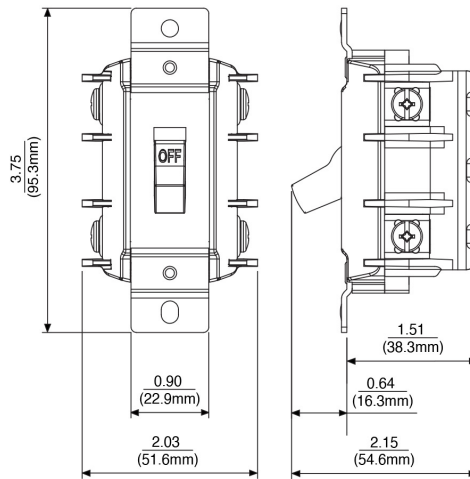
NEMA : WD-1 & WD-6

NOM : NOM-ANCE

UL 60947-4-1 : supersedes UL 508

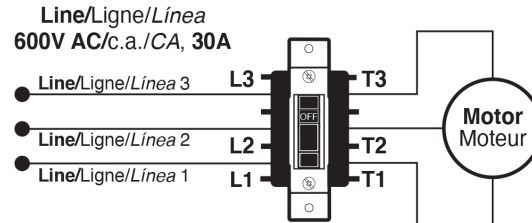
Warranty : 10-Year Limited

cUL per CSA C22.2 No. 111 : File #E63969



MS302-DSS Shown (Dimensions same for MS303-DSS)

Wiring Diagram 3-Pole



SPECIFICATION SUBMITTAL

JOB NAME: <input type="text"/>	CATALOG NUMBERS: <input type="text"/>	
JOB NUMBER: <input type="text"/>	<input type="text"/>	<input type="text"/>

Leviton Manufacturing Co., Inc.

201 North Service Road, Melville, NY 11747

Telephone: +1-800-323-8920 · FAX: +1-800-832-9538 · Tech Line (8:30AM-7:30PM E.S.T. Monday-Friday):

+1-800-824-3005

Leviton Manufacturing of Canada, Ltd.

165 Hymus Boulevard, Pointe Claire, Quebec H9R 1E9 · Telephone: +1-800-469-7890 ·

FAX: +1-800-824-3005 · www.leviton.com/canada

Leviton S. de R.L. de C.V.

Lago Tana 43, Mexico DF, Mexico CP 11290 · Tel.: (+52)55-5082-1040 · FAX: (+52)5386-

1797 · www.leviton.com.mx

Visit our Website at: www.leviton.com

© 2021 Leviton Manufacturing Co., Inc. All Rights Reserved. Subject to change without notice.

Leviton has a global presence.

If you would like to know where your local Leviton office is located please go to:

www.leviton.com/international/contacts/

